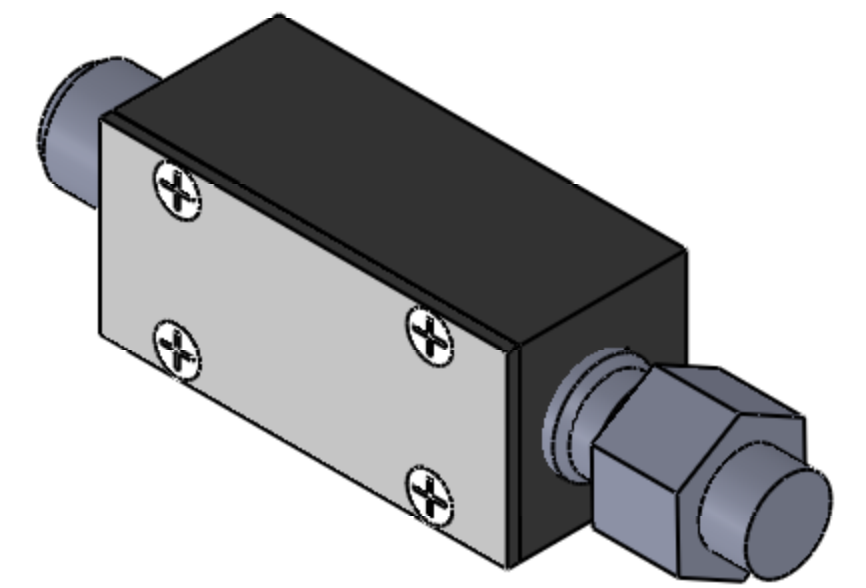
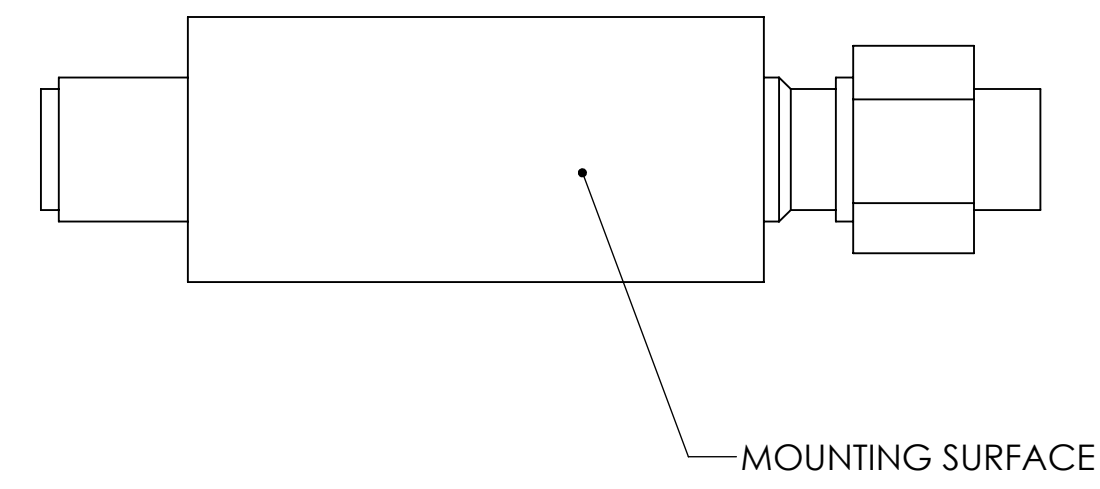
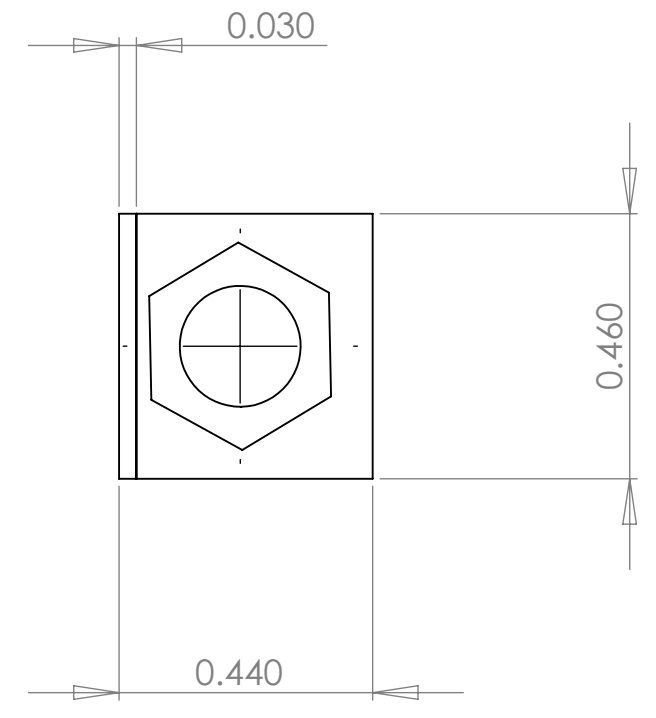
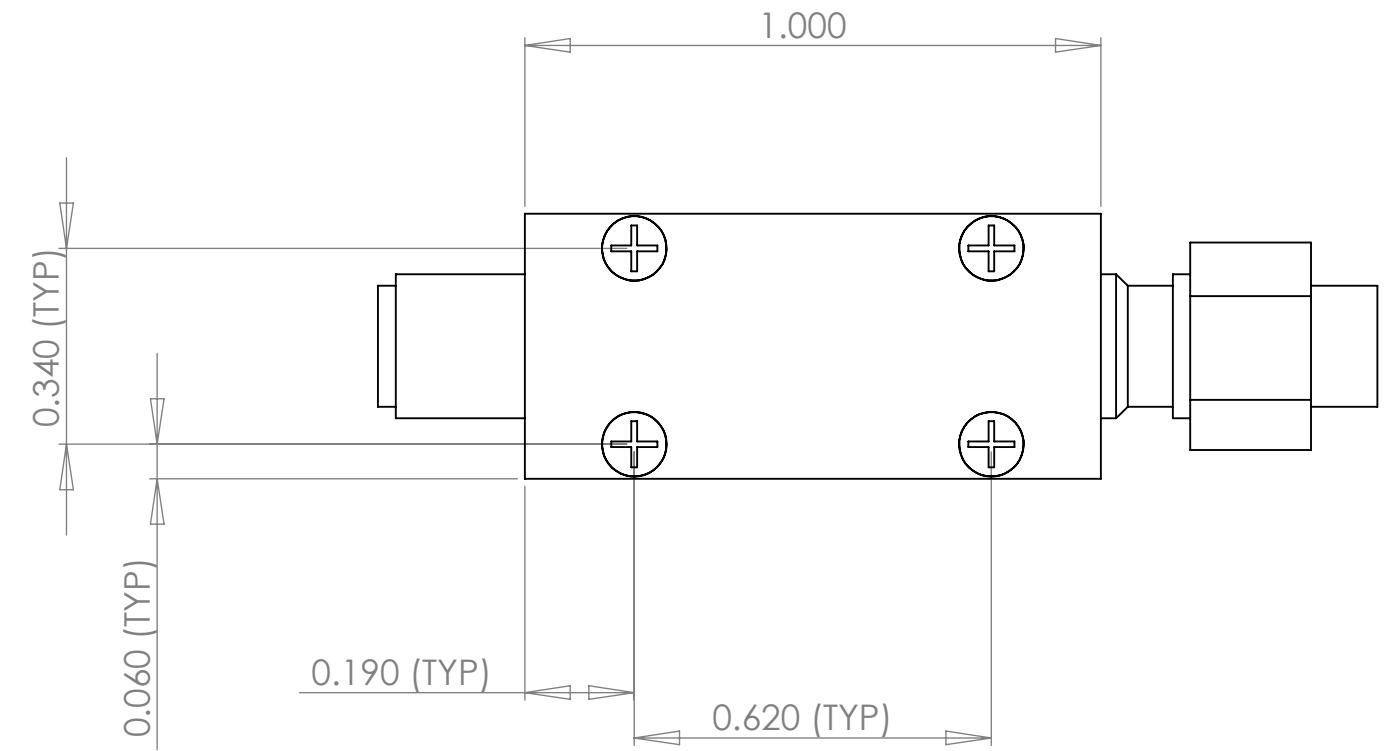
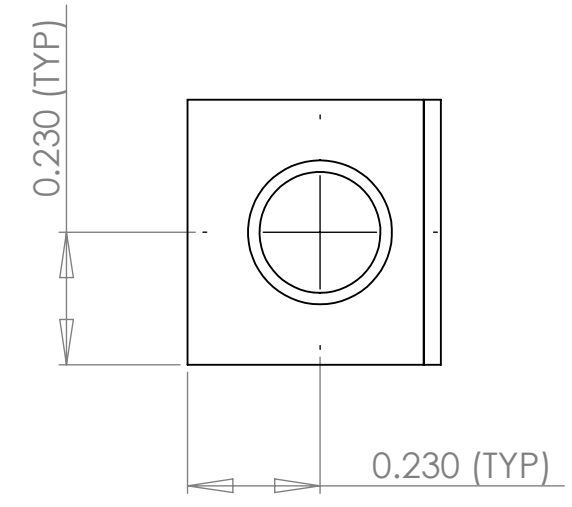
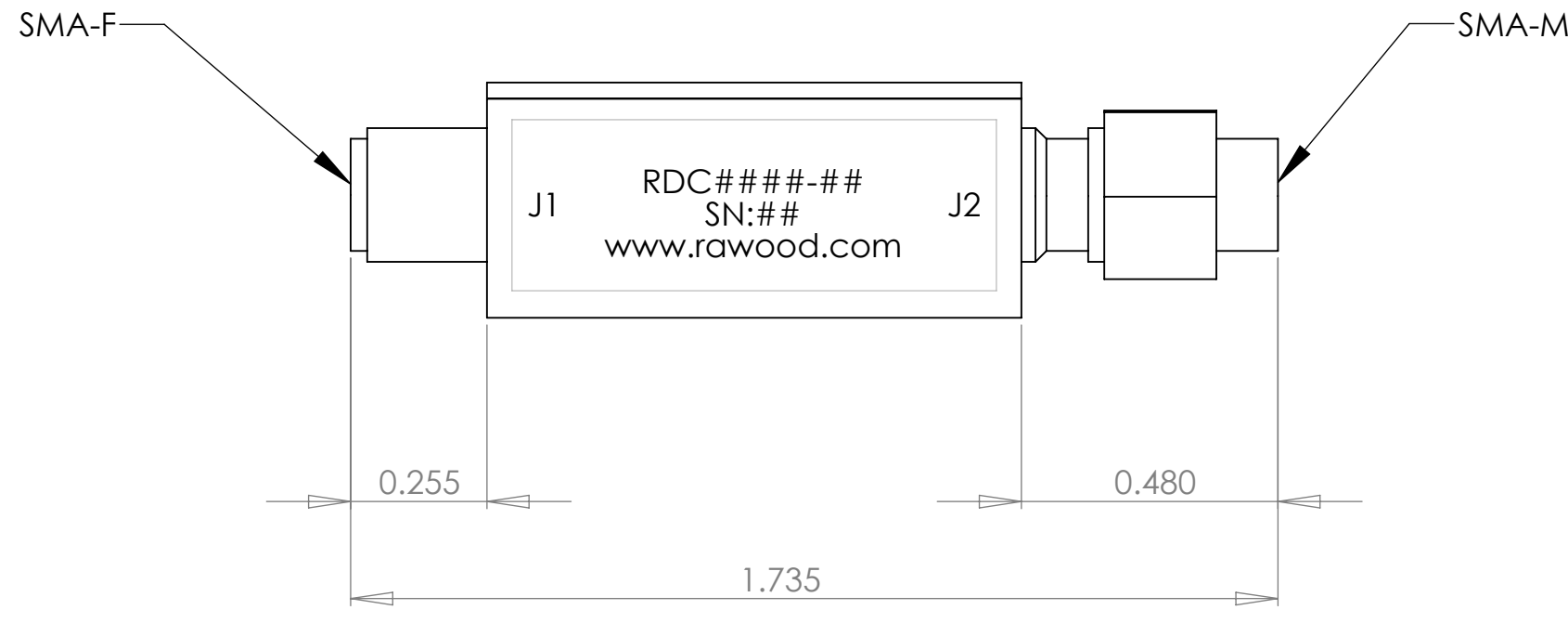


REVISIONS			
REV:	DESCRIPTION:	DATE:	DRAWN BY:



<b>PROPRIETARY AND CONFIDENTIAL</b> THE INFORMATION CONTAINED IN THIS DRAWING IS THE SOLE PROPERTY OF R.A. WOOD ASSOCIATES.  ANY REPRODUCTION IN PART OR AS A WHOLE WITHOUT THE WRITTEN PERMISSION OF R.A. WOOD ASSOCIATES IS PROHIBITED.	<b>UNLESS OTHERWISE SPECIFIED:</b> 1. DIMENSIONS ARE IN INCHES 2. DIMENSIONS APPLY AFTER FINISH 3. TOLERANCES: ANGULAR: MACH ± .005 BEND ± 0.005 DECIMAL: .XXX ± 0.005 .XX ± 0.01 4. REMOVE ALL BURS AND BREAK SHARP EDGES	MATERIAL:  6061 ALUMINUM (EXCEPT FOR CONNECTORS)	TITLE:  <b>M02 EQUALIZER ASSEMBLY</b>	
	DO NOT SCALE DRAWING	DRAWING NO.: RDC0031	FINISH: ELECTROLESS NICKEL THICKNESS = 0.0002 - 0.0004	REV <b>1</b> SIZE <b>C</b>
		DATE: 12/7/08		