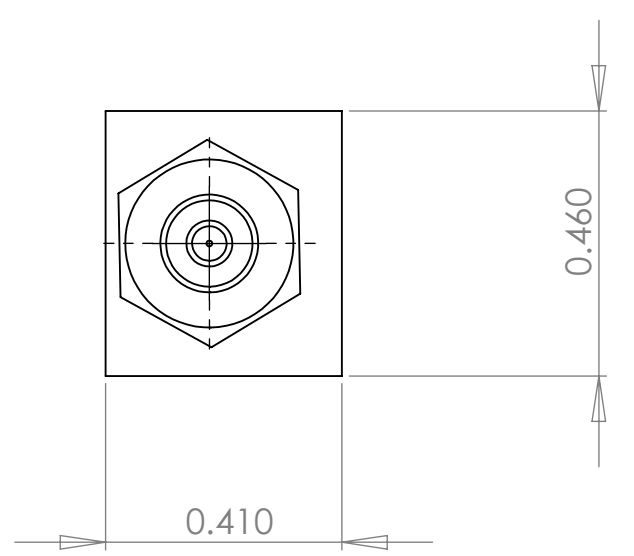
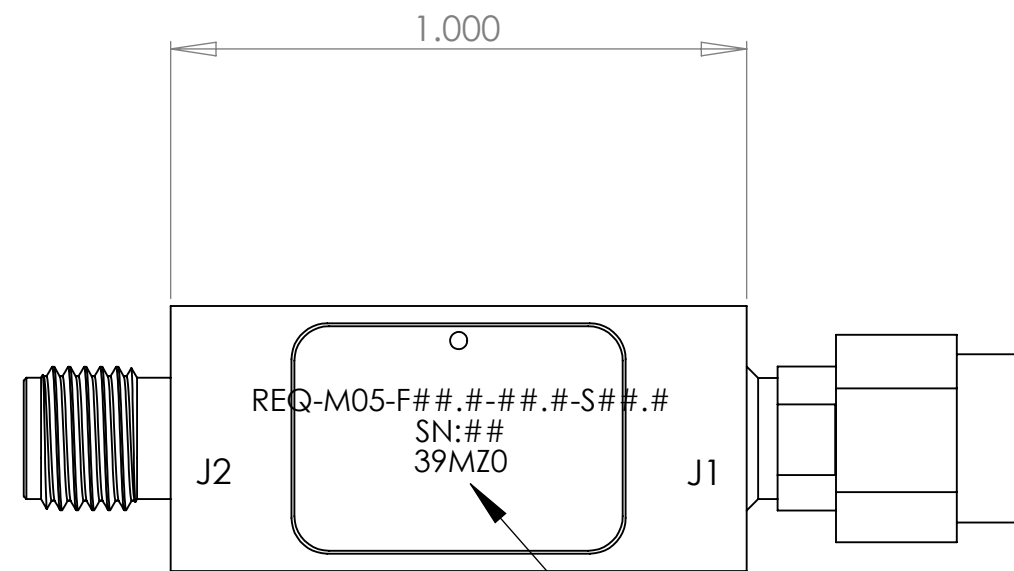
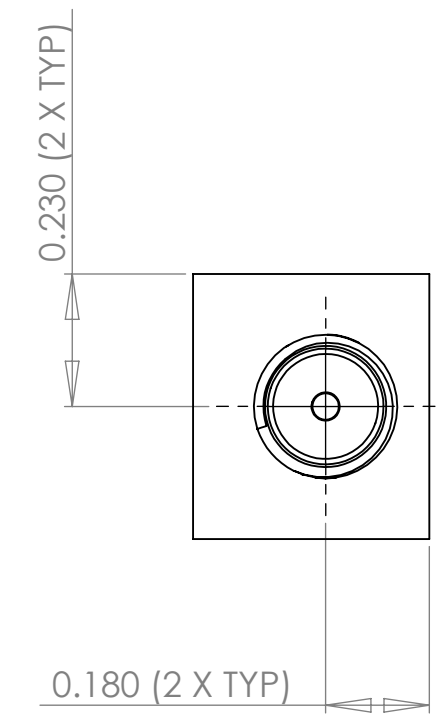
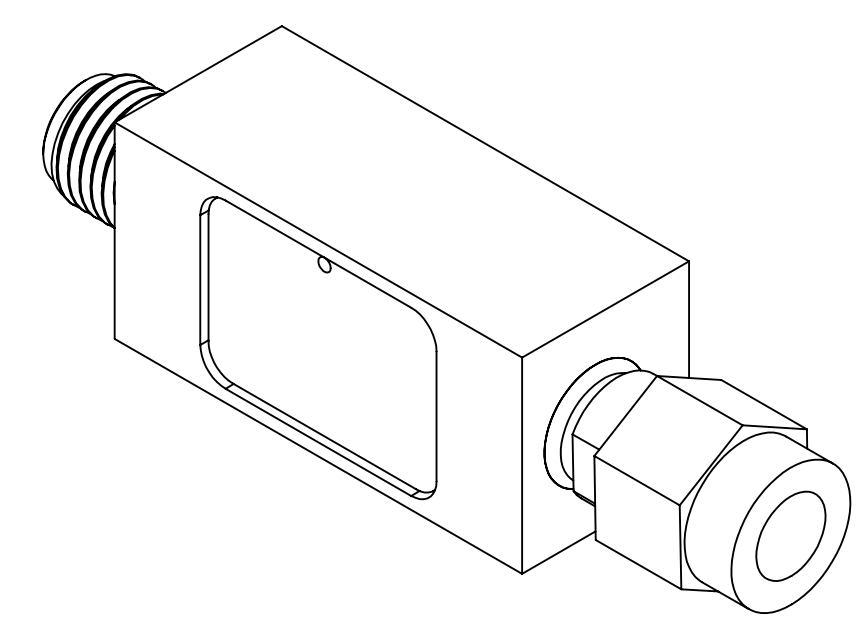
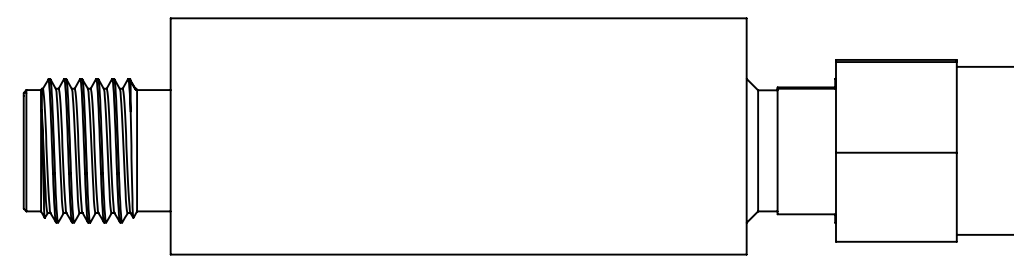


REVISIONS			
REV	DESCRIPTION	DATE	DRAWN BY
B	UPDATED DELINEATION, J1 AND J2	13/04/02	JAM



LABEL,
NEAR AND FAR SIDE



ISOMETRIC VIEW
FOR REFERENCE ONLY

PROPRIETARY AND CONFIDENTIAL THE INFORMATION CONTAINED IN THIS DRAWING IS THE SOLE PROPERTY OF R.A. WOOD ASSOCIATES. ANY REPRODUCTION IN PART OR AS A WHOLE WITHOUT THE WRITTEN PERMISSION OF R.A. WOOD ASSOCIATES IS PROHIBITED.	UNLESS OTHERWISE SPECIFIED: 1. DIMENSIONS ARE IN INCHES 2. DIMENSIONS APPLY AFTER FINISH 3. TOLERANCES: ANGULAR: MACH ± .005 BEND ± 0.005 DECIMAL: .XXX ± 0.005 .XX ± 0.01 4. REMOVE ALL BURRS AND BREAK SHARP EDGES	MATERIAL:	TITLE:		
		6061 ALUMINUM (EXCEPT FOR CONNECTORS)	M05 EQUALIZER ASSEMBLY		
DO NOT SCALE DRAWING	DRAWING NO.:	FINISH:	REV	DRAWN BY:	CHECKED BY:
	RDC0046	ELECTROLESS NICKEL THICKNESS = 0.0002 - 0.0004	B	AES	PXF
		DATE:	SIZE	SCALE: 3:1	SHEET 1 OF 1
		7/31/10	C		

