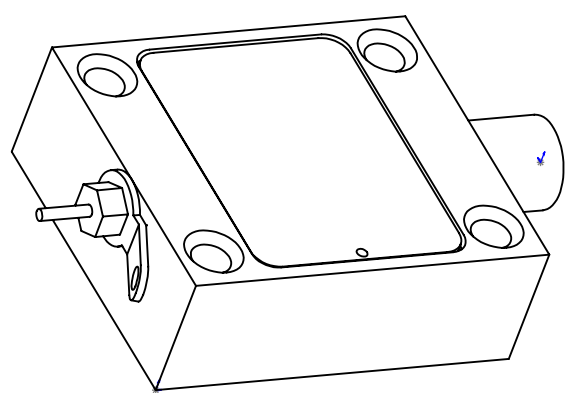
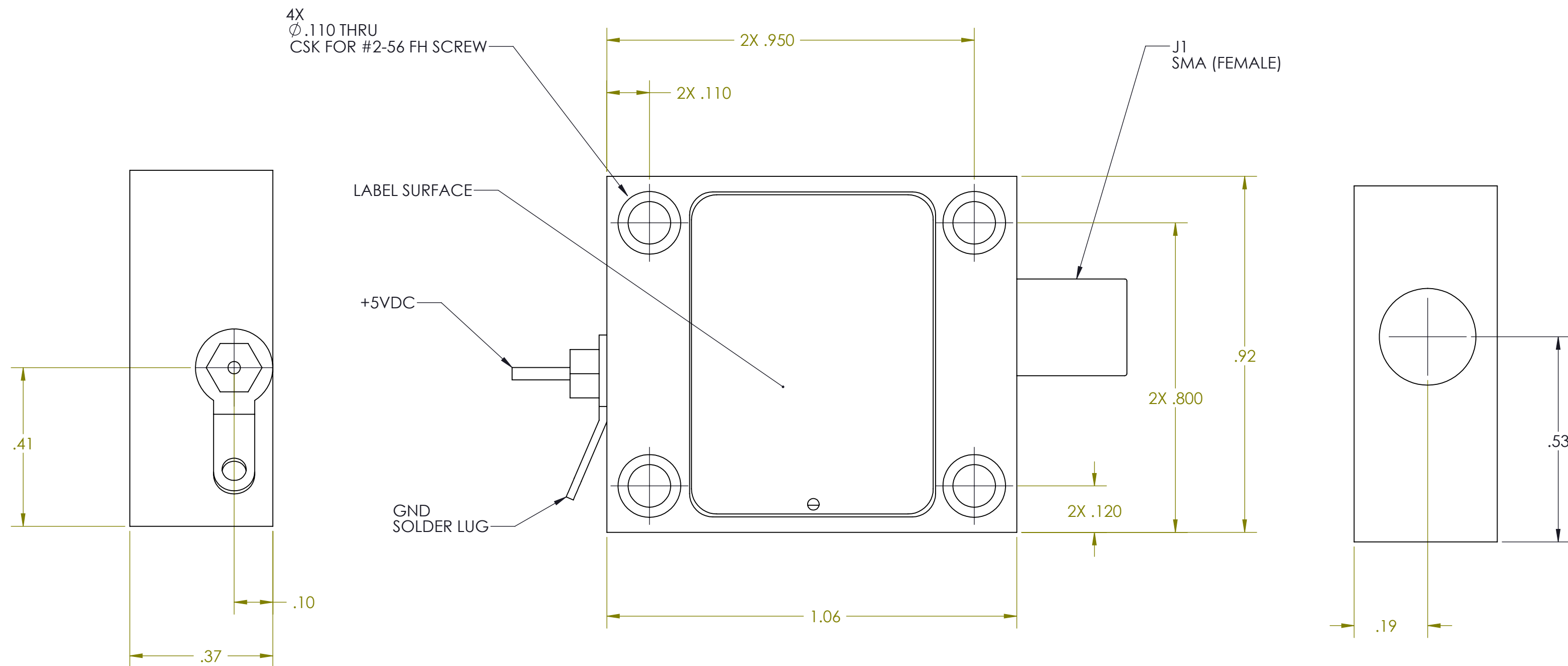


NOTES

1 MATERIAL: 6061 ALUMINUM (EXCEPT FOR CONNECTORS)

2 FINISH: ELECTROLESS NICKEL

REVISION HISTORY				
REV	ZONE	DESCRIPTION	APPROVED	DATE
A		REVISED DELINEATION	JAM	13/04/04



ISOMETRIC VIEW FOR REFERENCE ONLY  
SCALE 2:1

**PROPRIETARY AND CONFIDENTIAL**  
THE INFORMATION CONTAINED IN THIS DRAWING IS THE SOLE PROPERTY OF R.A. WOOD ASSOCIATES. ANY REPRODUCTION IN PART OR AS A WHOLE WITHOUT THE WRITTEN PERMISSION OF R.A. WOOD ASSOCIATES IS PROHIBITED.

UNLESS OTHERWISE SPECIFIED:		NAME	DATE
DIMENSIONS ARE IN INCHES		DRAWN	JAM 12/06/11
TOLERANCES:		CHECKED	
FRACTIONAL ±		ENG APPR.	
ANGULAR: MACH ± 1°		MFG APPR.	
TWO PLACE DECIMAL ±.02		Q.A.	
THREE PLACE DECIMAL ±.005		COMMENTS:	
INTERPRET GEOMETRIC TOLERANCING PER ASME Y14.5			
MATERIAL			
SEE NOTE 1			
FINISH			
SEE NOTE 2			
NEXT ASSY	USED ON		
APPLICATION	DO NOT SCALE DRAWING		



# SIMPLE CYCLE OSCILLATOR

SIZE	CAGE CODE	DWG. NO.	REV
<b>C</b>	39MZ0	RDC0082	<b>A</b>
SCALE: 4:1			SHEET 1 OF 1